

Features

- Built-in 100v/70v transformer
- Waterproof horn type loudspeaker
- Wide frequency response range both suitable for music and paging
- Much longer dispersion distance
- 6"+3" two ways speaker unit
- IP6 waterproof level
- Power taps 12.5w-25w-50w @100V
- ABS enclosure and metal bracket
- Ideal for parking, mosque, park & playground use

Description

The T-710K is a waterproof horn speaker built-in 70v/100v transformer. The 70v/100v transformer technique reduces line losses on longer distance and allows easy parallel connection of multiple loudspeakers.

The built-in 6"+3" two ways speaker drivers are designed of wide frequency response 90-20kHz, the multiple power taps 12.5W, 25W & 50W are helpful for different applications varies from room size and ambient noise surroundings.

The ABS enclosure and metal bracket are of gray color. Easy and secure wall mount installation through the supplied mounting bracket.

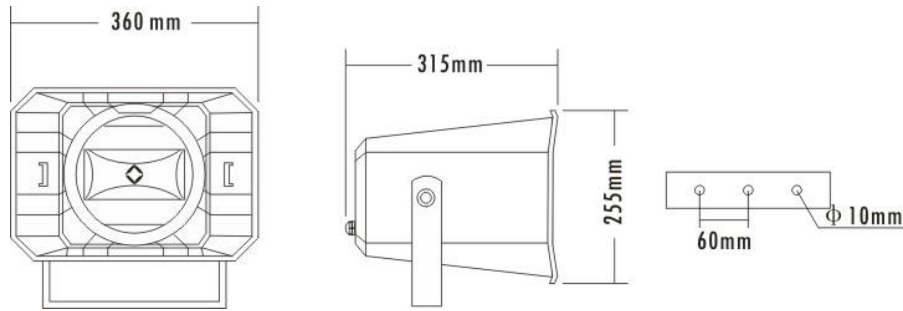
It is ideal choice for industrial and commercial applications in the outdoor area of parking, park, garden, corridor and playground where paging is needed.



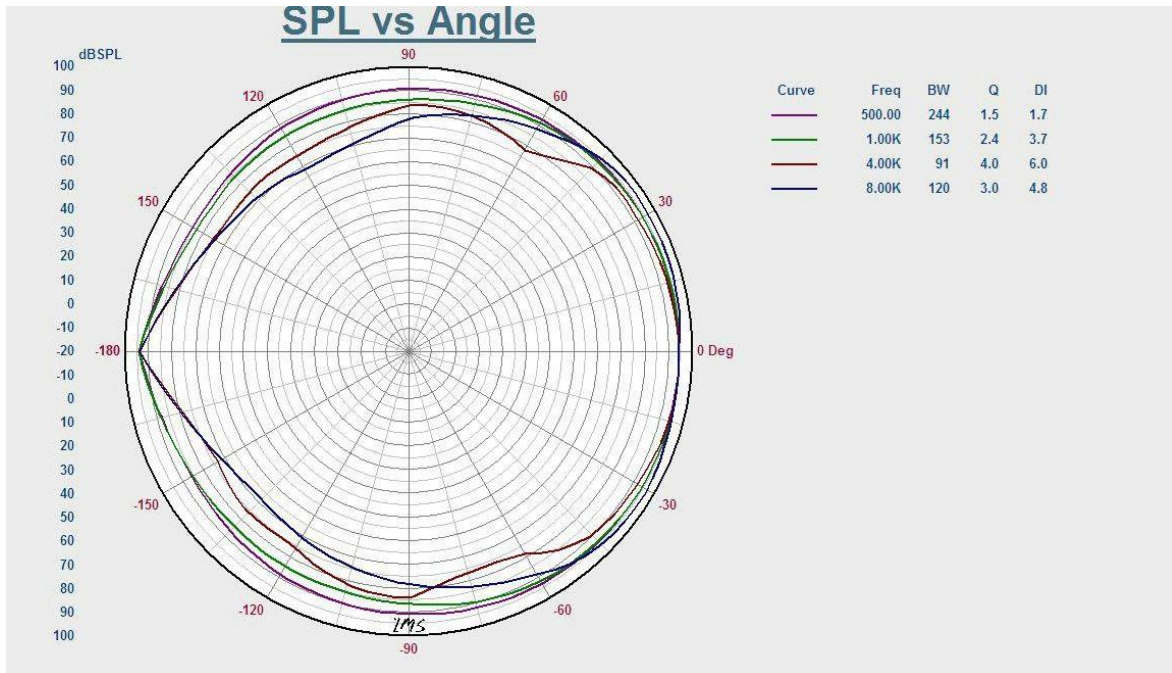
Specification

Model	T-710K
Power Taps @100V	Red : 12.5W, Green: 25W, White: 50W
Power Taps @70V	Red : 6.25W, Green: 12.5W, White: 25W
Impedance	Black: Com 800Ω 400Ω 200Ω
SPL(1W/1M)	99dB±3dB
Frequency Response (-10dB)	90-20KHz
Finish	Baffle: ABS
Speaker Driver	6" x 1 3" x 1
IP Rate	IP 66
Dimensions	360 x 255 x 315mm
Weight	4Kg
Mounting	With mounting bracket fixed by screw

Appearance:



Direction Diagram:



Frequency Response:

