

Feature

- Built-in 100v/70v transformer
- Waterproof projector type loudspeaker
- IP66 waterproof level
- Power output 25W, 50W, 100W @100V
- Metal enclosure and metal bracket

Description

The T-720CD is a waterproof horn speaker built-in 70v/100v transformer. The 70v/100v transformer technique reduces line losses on longer distance and allows easy parallel connection of multiple loudspeakers.

The built-in horn speaker driver is designed of wide frequency response 160-8KHz, the rated power output 25W, 50W, 100W could meet different applications varies from room size and ambient noise surroundings.

The metal enclosure and metal bracket are of black color. Easy and secure wall mount installation through the supplied mounting bracket.

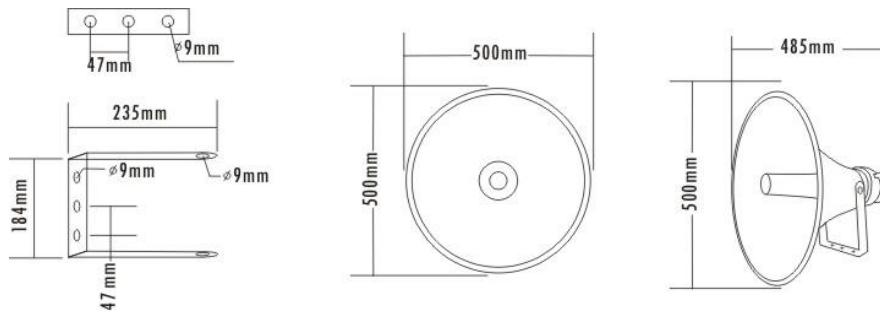
It is ideal choice for industrial and commercial applications in the outdoor area of train station, shopping mall, parking area and factory where background music and paging is needed.



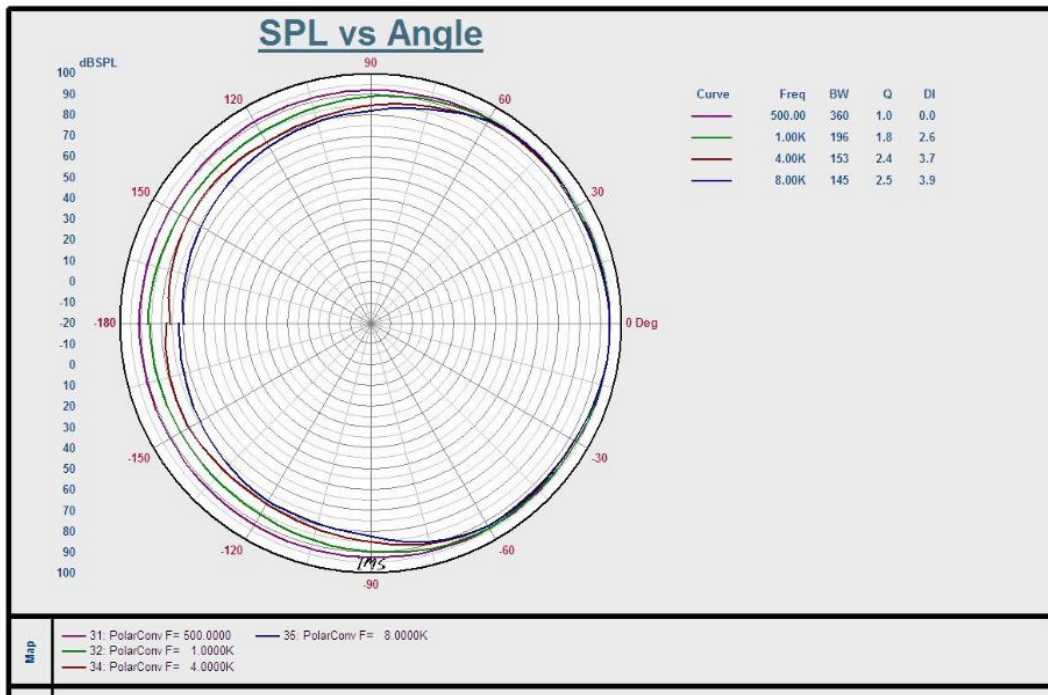
Specification

Model	T-720CD
Rated power(100V)	25W, 50W, 100W
Rated power(70V)	12.5W, 25W, 50W, 100W
Maximum power	200W
Impedance	COM / 50Ω/ 100Ω/ 200Ω/ 400Ω
Frequency response	160-8KHz
Sensitivity	114dB
Waterproof	IP x 66
Size	500 x 485mm
Weight	4.6kg
Material	Aluminum alloy

Appearance:



Direction Diagram:



Frequency Response:

