

Features

- Built-in 100V/70V transformer
- Waterproof projector type loudspeaker
- Supreme longer distance dispersion horn speaker
- IP6 waterproof level
- Power taps 25W-50W @100V
- Aluminum enclosure & flare and stainless metal bracket

Description

The T-720K is a waterproof horn speaker built-in 70v/100v transformer. The 70v/100v transformer technique reduces line losses on longer distance and allows easy parallel connection of multiple loudspeakers.



The built-in horn speaker driver is designed of wide frequency response 300-14kHz, the multiple power taps 25W & 50W are helpful for different applications varies from room size and ambient noise surroundings.

The Aluminum enclosure and stainless metal bracket are of white color. Easy and secure wall mount installation through the supplied mounting bracket.

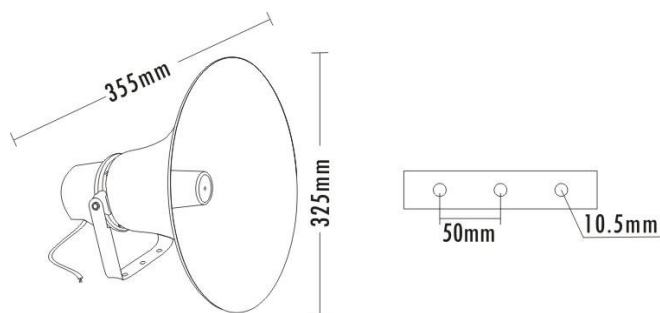
It is ideal choice for industrial and commercial applications in the outdoor area of parking, park, garden, corridor and playground where paging is needed.

Specification

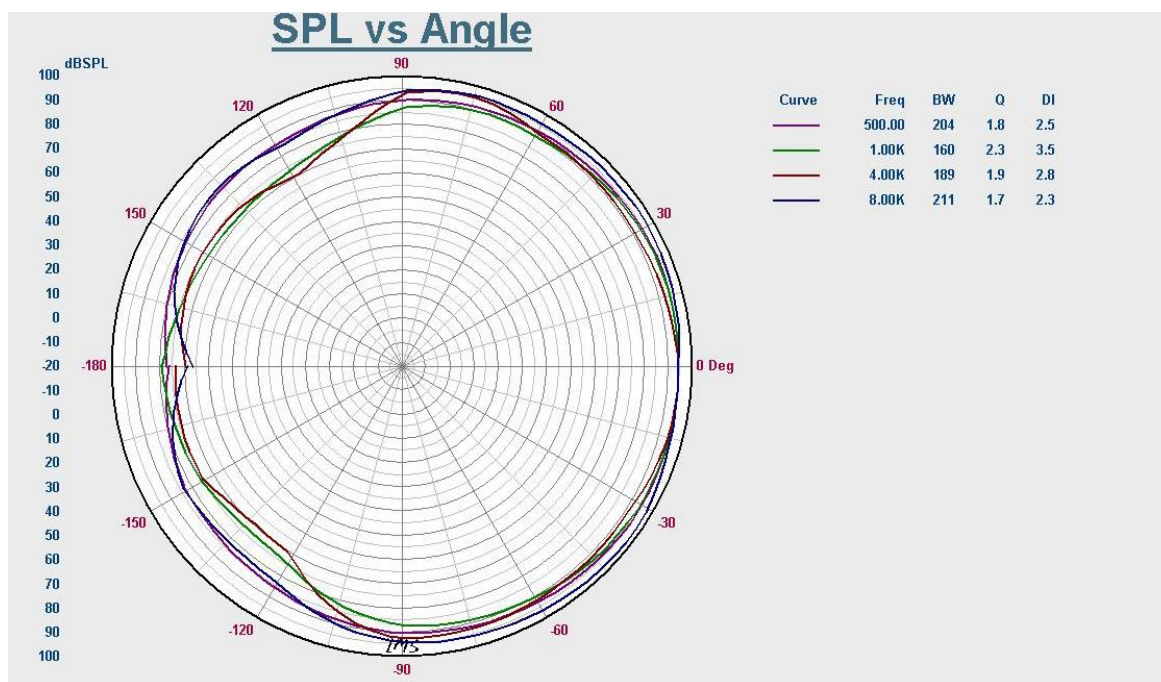
Model	T-720K
Power Taps @ 100V	25W, 50W
Power Taps @ 70V	12.5W, 25W
Max Power Output	100W
Impedance	Black-Com Green: 400Ω White: 200Ω
Frequency Response	300-14KHz
Sensitivity	104dB±3dB
Finish	Baffle: Aluminum, White
IP Rate	IP x 6
Dimension	325 x 325 x 355mm
Weight	3.1kg

Weatherproof Aluminum Horn Speaker

Appearance:



Direction Diagram:



Frequency Response:

