

**Features**

- Built-in 100v/70v transformer
- Wall mount type loudspeaker
- 6" +1.5" two ways speaker unit
- Power taps 5w-10w-20w-40w @100V plus 8ohm
- Metal grille, ABS enclosure and stainless mounting bracket
- Fashion speaker of white color

**Description**

The T-776HW is a wall mount speaker built-in 70v/100v transformer. The 70v/100v transformer technique reduces line losses on longer distance and allows easy parallel connection of multiple loudspeakers.

The built-in 6"+1.5" two ways speaker driver is designed of wide frequency response 100-20kHz, the multiple power taps 5W, 10W, 20W & 40W are helpful for different applications varies from room size and ambient noise surroundings.

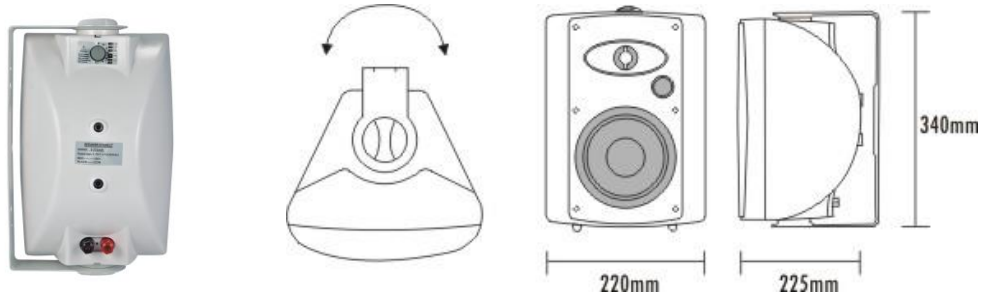
The metal grille, ABS enclosure and stainless mounting bracket are of white color. Easy and secure wall mount installation through the supplied mounting bracket.

It is ideal choice for industrial and commercial applications in hotel, school, office and factory where background music and paging is needed.

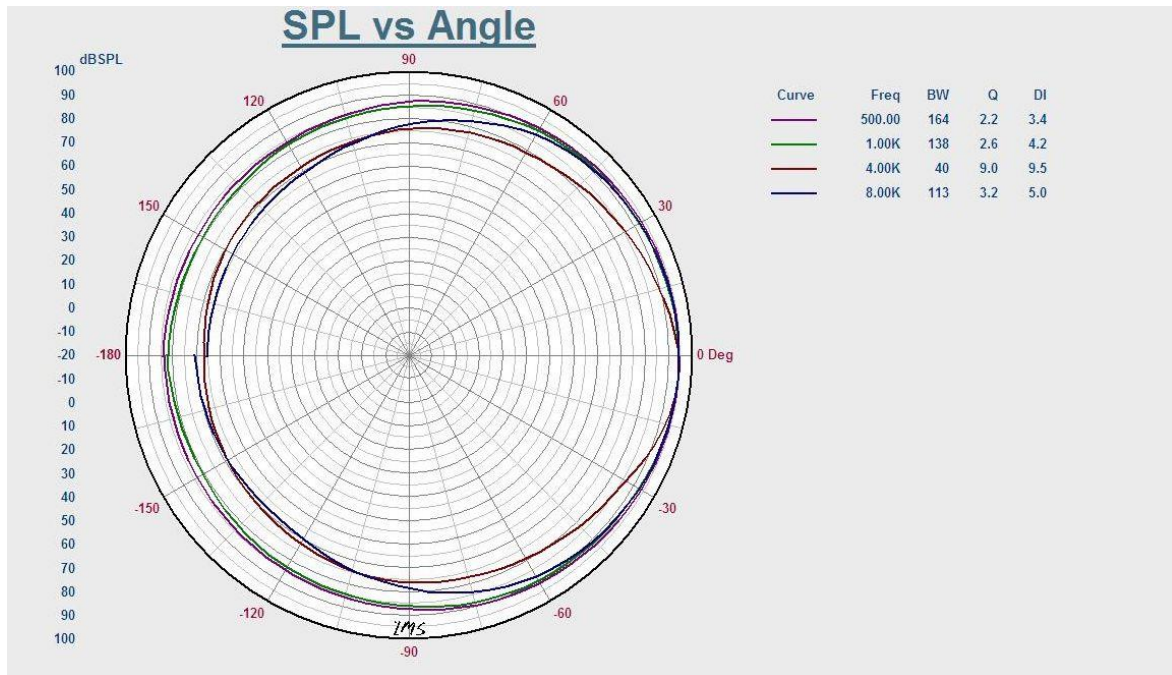

**Specification**

Model	T-776HW
Power Taps @100V	5W, 10W, 20W, 40W
Power Taps @70V	2.5W, 5W, 10W, 20W, 40W
Transformer Impedance	2KΩ/1KΩ/500Ω/250Ω/125Ω
Input	70V/100V/8Ω
SPL(1W/1M)	89dB
Max. SPL (Rated W/1M)	105dB
Frequency Response (-10dB)	100-20KHz
Finish	Baffle: ABS, Black/White    Grille: Steel, Black/White
Speaker Driver	6" x 1    1.5" x 1
Dimensions	340 x 220 x 225mm
Weight	4.1kg
Mounting	With mounting bracket fixed by screw

Appearance:



Direction Diagram:



Frequency Response:

