

**Features**

- Built-in 100v/70v transformer
- Wall mount type loudspeaker
- 8" +1.5" two ways speaker unit
- Power taps 7.5W,15W, 30W & 60W @100V plus 8ohm
- Metal grille, ABS enclosure and stainless mounting bracket
- Fashion speaker of black color

**Description**

The T-778H is a wall mount speaker built-in 70v/100v transformer. The 70v/100v transformer technique reduces line losses on longer distance and allows easy parallel connection of multiple loudspeakers.

The built-in 8"+1.5" two ways speaker driver is designed of wide frequency response 100-20kHz, the multiple power taps 7.5W, 15W, 30W & 60W are helpful for different applications varies from room size and ambient noise surroundings.

The metal grille, ABS enclosure and stainless mounting bracket are of black color. Easy and secure wall mount installation through the supplied mounting bracket.

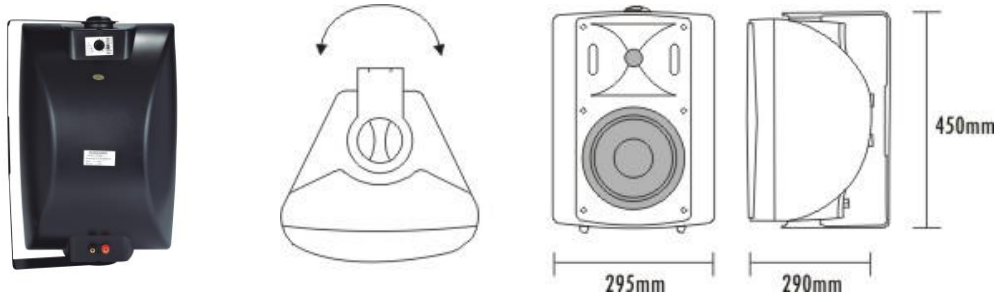
It is ideal choice for industrial and commercial applications in hotel, school, office and factory where background music and paging is needed.



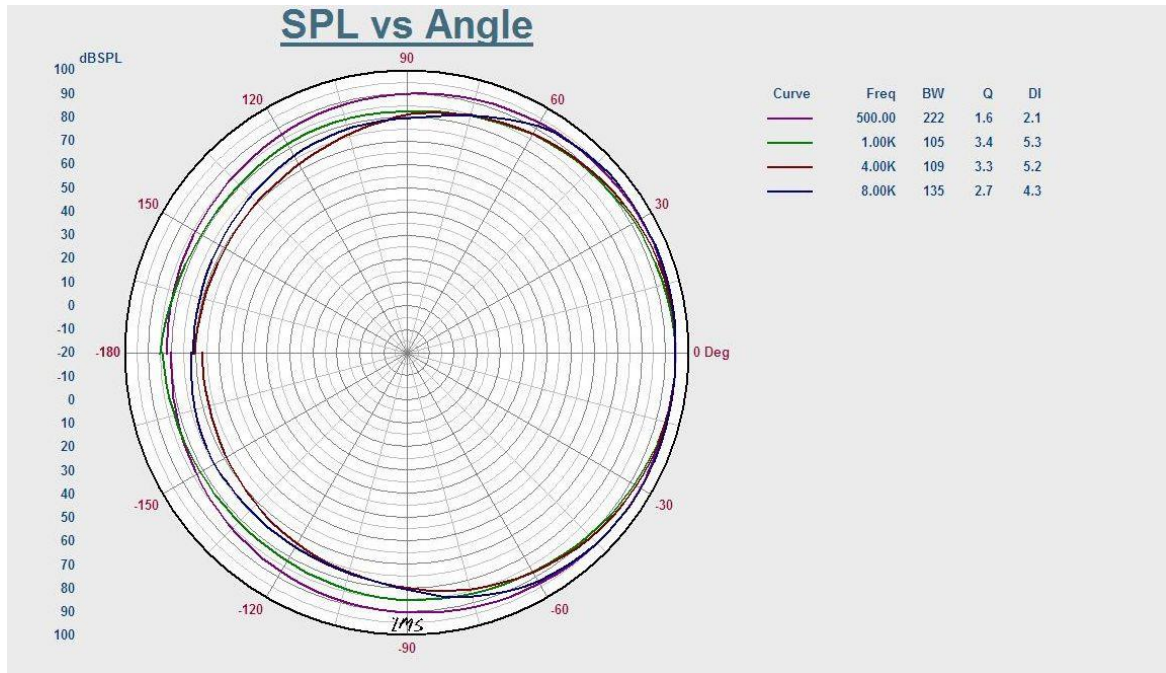
**Specification**

Model	T-778H
Power Taps @100V	7.5W, 15W, 30W, 60W
Power Taps @70V	3.75W, 7.5W, 15W, 30W, 60W
Transformer Impedance	1.3KΩ/670Ω/330Ω/165Ω/81Ω
Input	70V/100V/8Ω
SPL(1W/1M)	89dB
Max. SPL (Rated W/1M)	112dB
Frequency Response (-10dB)	100-20KHz
Finish	Baffle: ABS, Black/White      Grille: Steel, Black/White
Speaker Driver	8" x 1      2"x1
Dimensions	450 x295 x290mm
Weight	6.5kg
Mounting	With mounting bracket fixed by screw

Appearance:



Direction Diagram:



Frequency Response:

