

**Features**

- Built-in 100v/70v transformer
- Wall mount type loudspeaker
- 4" +1.5" two ways speaker unit
- RMS 30W @100V
- Metal grille, ABS enclosure and stainless mounting bracket

**Description**

The T-774SW is a wall mount speaker built-in 70v/100v transformer. The 70v/100v transformer technique reduces line losses on longer distance and allows easy parallel connection of multiple loudspeakers.

The built-in 4"+1.5" two ways speaker driver is designed of wide frequency response 90-20KHz, the RMS 30W power outputs are suitable for most of the applications.

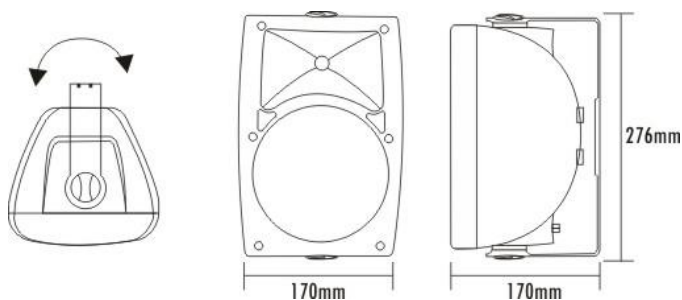
The ABS grille, ABS enclosure and stainless mounting bracket are of black color. Easy and secure wall mount installation through the supplied mounting bracket.

It is ideal choice for industrial and commercial applications in hotel, school, office and factory where background music and paging is needed.

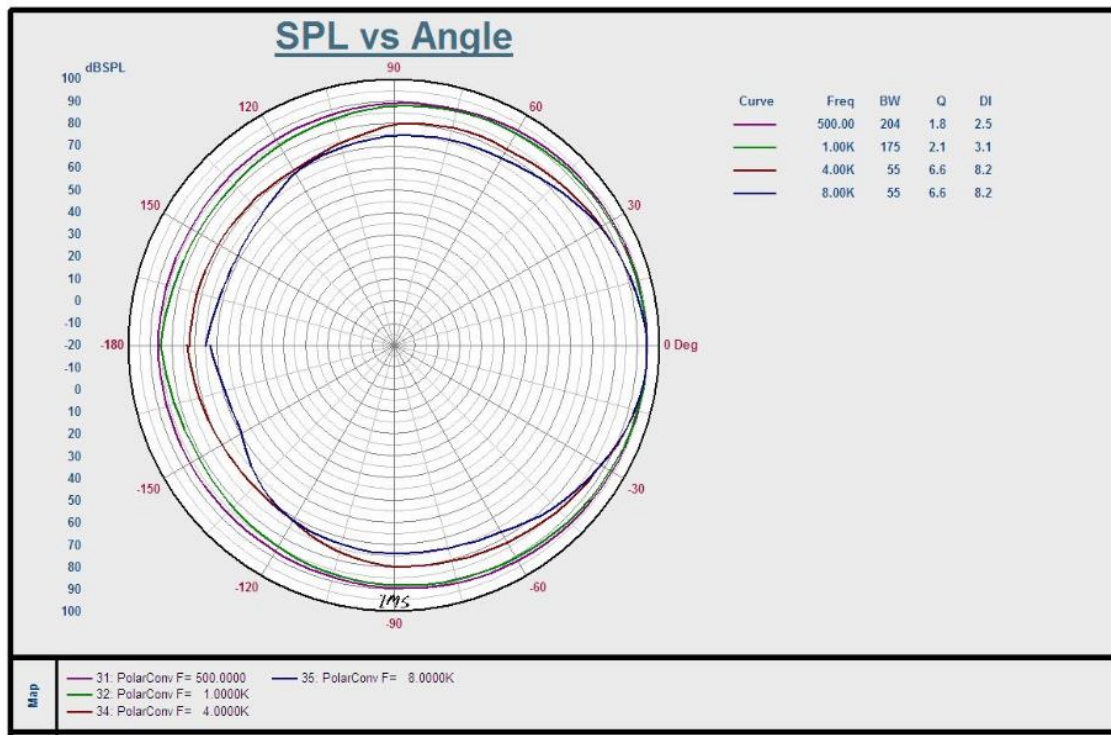

**Specification**

Model	T-774SW
Rated power(100V)	30W
Maximum power	60W
Sensitivity	89dB
Impedance	333Ω
Frequency response	90-20KHz
Material	plastic
Speaker unit	4" x 1    1" x 1
Size	276 x 170 x 170mm
Weight	2.5Kg

Appearance:



Direction Diagram:



Frequency Response:

