

Features

- Built-in 100v/70v transformer
- Waterproof projector type loudspeaker
- 6" full range speaker unit
- IP6 waterproof level
- Power taps 7.5w-15w @100V
- Aluminum enclosure and metal bracket

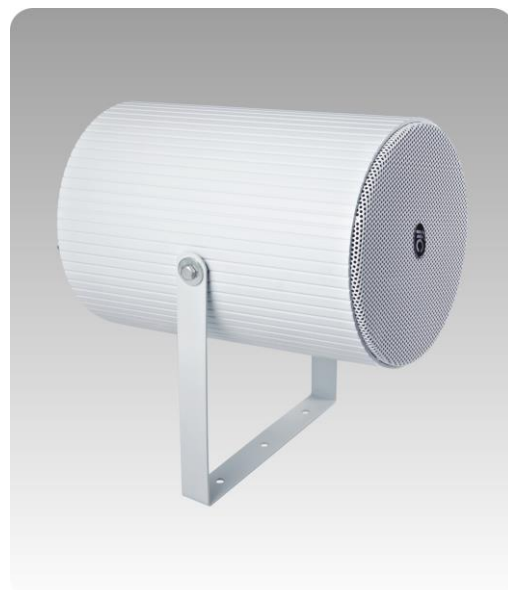
Description

The T-770 is a waterproof projection speaker built-in 70v/100v transformer. The 70v/100v transformer technique reduces line losses on longer distance and allows easy parallel connection of multiple loudspeakers.

The built-in 6" full range speaker driver is designed of wide frequency response 250-14kHz, the multiple power taps 7.5W & 15W are helpful for different applications varies from room size and ambient noise surroundings.

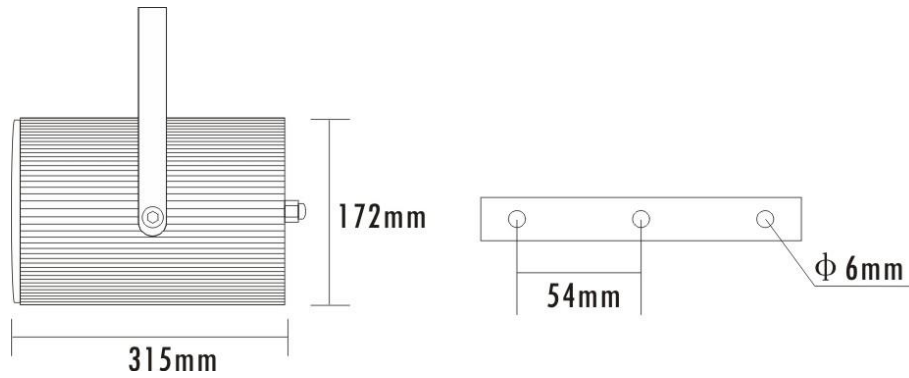
The aluminum enclosure and metal bracket are of white color. Easy and secure wall mount installation through the supplied mounting bracket.

It is ideal choice for industrial and commercial applications in the outdoor area of train station, shopping mall, parking area and factory where background music and paging is needed.

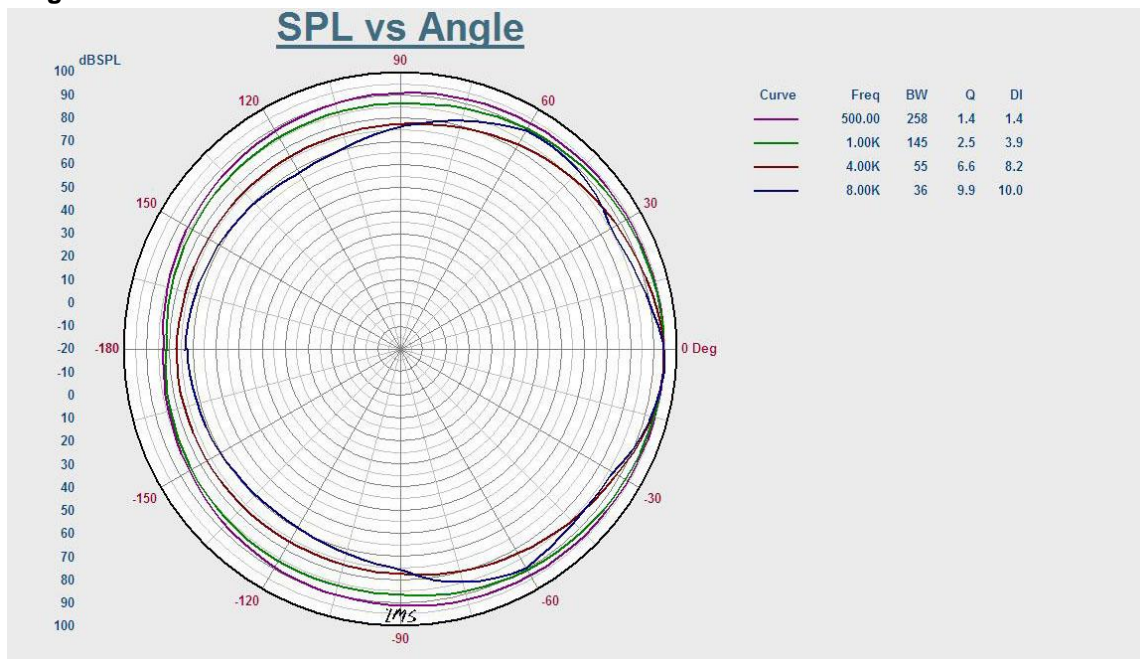

Specification

Model	T-770
Power Taps @100V	7.5W, 15W
Power Taps @70V	3.75W, 7.5W
Impedance	Black: Com White: 1.3KΩ Green: 670Ω
SPL(1W/1M)	100dB
Max. SPL (Rated W/1M)	112dB
Frequency Response (-10dB)	250-14KHz
Finish	Baffle: Aluminum, White Grille: Steel, White
Speaker Driver	6" x 1
IP Rate	IP x 6
Dimensions	172 x 315mm
Weight	2.7Kg
Mounting	With mounting bracket fixed by screw

Appearance:



Direction Diagram:



Frequency Response:

